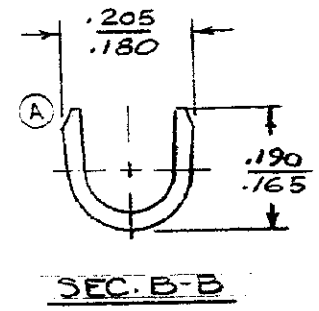
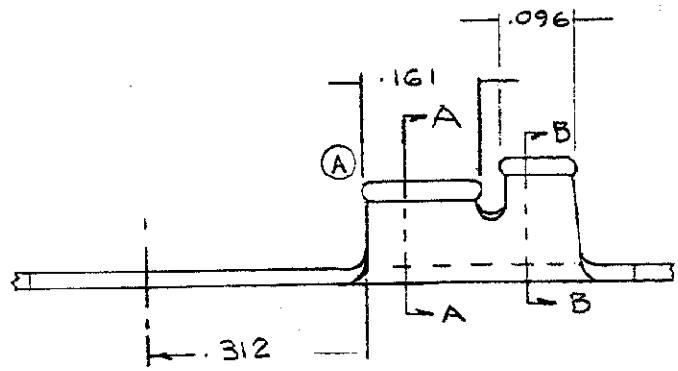
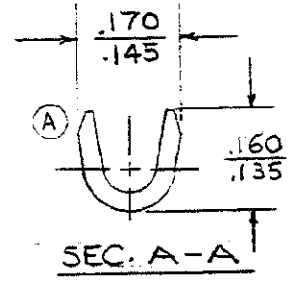
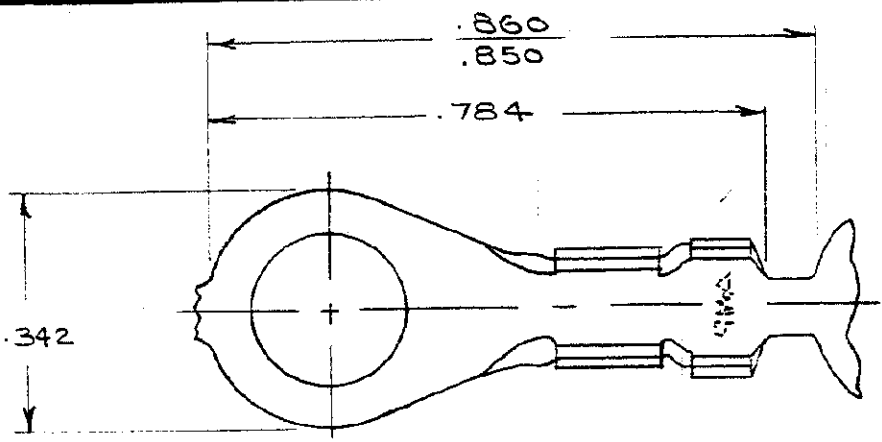


40955



WIRE SIZE # A.W.G.	INSULATION RANGE	STUD #	HOLE DIA. ±.003	MATERIAL AND FINISH	TERMINAL NUMBER	
20 16	100-140	6	.145	.030 BRASS-TIN	41733	OBS
		6	.145	.030 BRASS-NONE	60070	OBS
		8	.171	.030-BRASS-TIN	41456	
		10	.197	.030-BRASS-TIN	40955	
		10	.197	.030-BRASS-NONE	41350	OBS
		12	.223	.030-BRASS-NONE	41566	OBS
		12	.223	.030-BRASS-TIN	41567	OBS
		12	.223	.030-BRASS-NI	41566	OBS

CUSTOMER DRAWING

G	OBS 60070-1 41566 PER AF-1556	DATE	7/6/60
F	OBS 41350 AF 3763 REV AF-6783	DATE	3/6/67
E	RELEASE 41456 PER AF 3742	DATE	10/26/68
D	OBS 41733 AF 3719	DATE	6/4/61
C	OBS 41566-1 AF 0345	DATE	6/2/62
B	ADDED 41566-1	DATE	7-8-67
A	REVISED END & SIDE VIEWS	DATE	1/2/68
LTR	REVISION RECORD	DATE	

©1963 BY AMP INCORPORATED. ALL RIGHTS RESERVED. AMP PRODUCTS COVERED BY PATENTS AND/OR PATENTS PENDING.



MATERIAL	FINISH	WIRE SIZE	INSULATION DIA
TOLERANCE EXCEPT AS NOTED = .015	SCALE = 1" = 0' 4-1	LOC AF	NO. A

40955

NAME RING

DIMENSIONS IN INCHES. DO NOT SCALE PRINT.

PRINTED 00